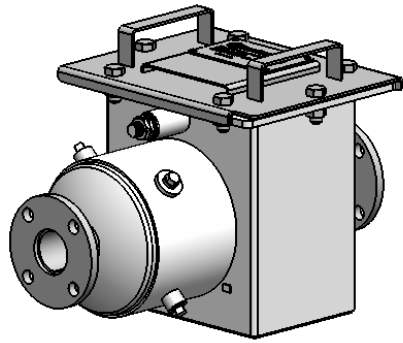
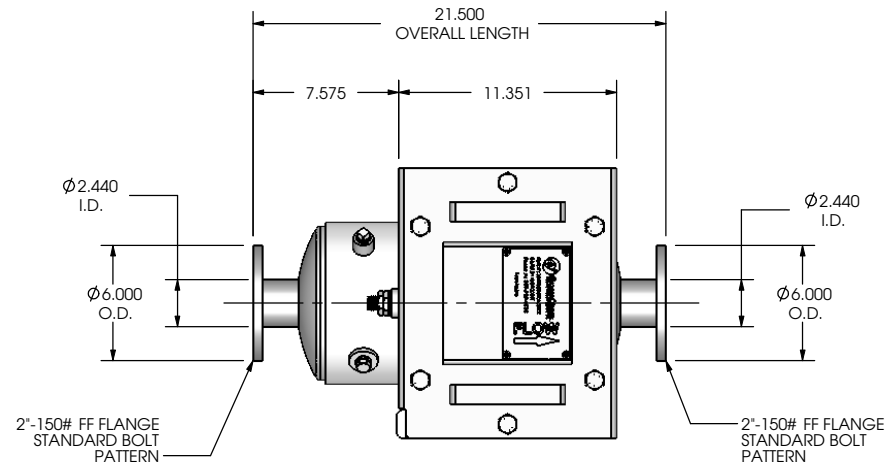


The BRx is the EmeraChem version of the Bandito housing but with the capability to replace the catalyst. The BRx is offered in several sizes. The BRx is designed to replace smaller housings where the catalyst cannot be replaced. The BRx is designed to accept only a single element. The BRx is a housing only. The BRx uses the standard EmeraChem gasket. The BRx is offered in CS & SS.

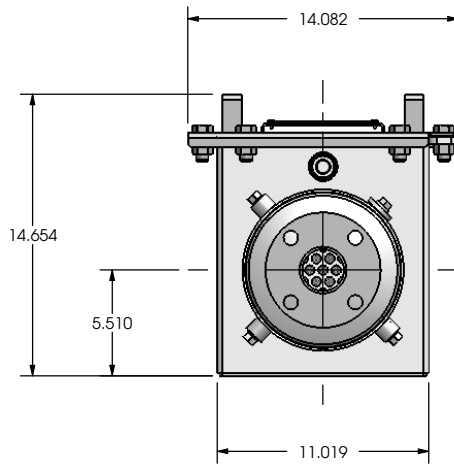
<u>PAGE</u>	<u>PART NUMBER</u>	<u>ELEMENTS</u>	<u>FLANGE DIAMETER</u>	<u>OVERALL LENGTH</u>	<u>DIAMETER</u>	<u>WEIGHT</u>
2	BRX-0700-02-S-XX	1	2"	21.5"	14.082"	68 lbs.
3	BRX-0700-03-S-XX	1	3"	21.5"	14.082"	72 lbs.
4	BRX-0800-03-S-XX	1	3"	21.5"	15.082"	75 lbs.
5	BRX-0800-04-S-XX	1	4"	21.5"	15.082"	78 lbs.
6	BRX-1000-03-S-XX	1	3"	21.5"	17.082"	86 lbs.
7	BRX-1000-04-S-XX	1	4"	21.5"	17.082"	90 lbs.
8	BRX-1200-03-S-XX	1	3"	21.5"	19.082"	105 lbs.
9	BRX-1200-04-S-XX	1	4"	21.5"	19.082"	108 lbs.
10	BRX-1200-05-S-XX	1	5"	21.5"	19.082"	109 lbs.
11	BRX-1200-06-S-XX	1	6"	21.5"	19.082"	111 lbs.
12	BRX-1450-03-S-XX	1	3"	21.5"	21.582"	129 lbs.
13	BRX-1450-04-S-XX	1	4"	21.5"	21.582"	132 lbs.
14	BRX-1450-05-S-XX	1	5"	21.5"	21.582"	133 lbs.
15	BRX-1450-06-S-XX	1	6"	21.5"	21.582"	135 lbs.



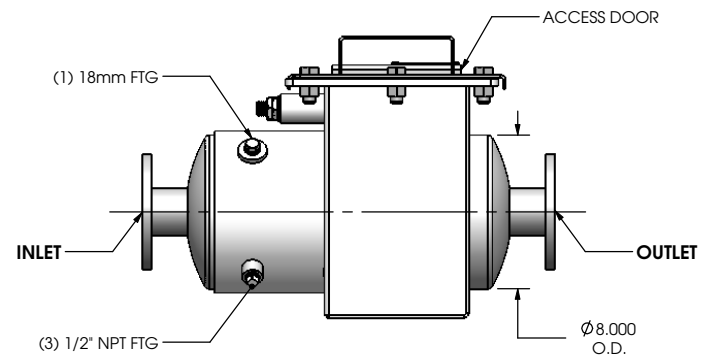
DIMETRIC VIEW



TOP VIEW



FRONT VIEW



RIGHT VIEW


NOTES:

- WEIGHT IS APPROXIMATE WITH (1) ELEMENT
- SINGLE ELEMENT HOUSING
- THIS EQUIPMENT SHALL BE SUPPORTED SUCH THAT NO MOMENTS OR FORCES ARE ON THE INLET AND OUTLET FLANGES

DRAWN	JU	DATE	10/18/2011
ENGINEER	-	DATE	-
APPROVED	-	DATE	-

PROPRIETARY AND CONFIDENTIAL

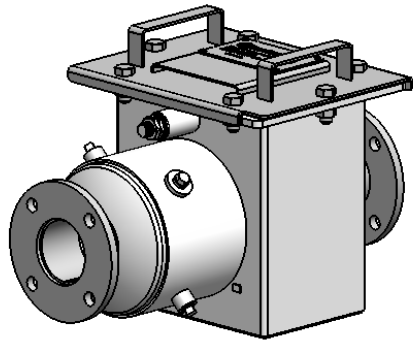
THIS DRAWING CONTAINS PROPRIETARY INFORMATION WHICH IS TO BE HELD CONFIDENTIAL AND MAY NOT BE REPRODUCED OR DISCLOSED TO OTHERS WITHOUT THE PRIOR WRITTEN CONSENT OF EMERACHEM OR A DULY AUTHORIZED REPRESENTATIVE THEREOF.



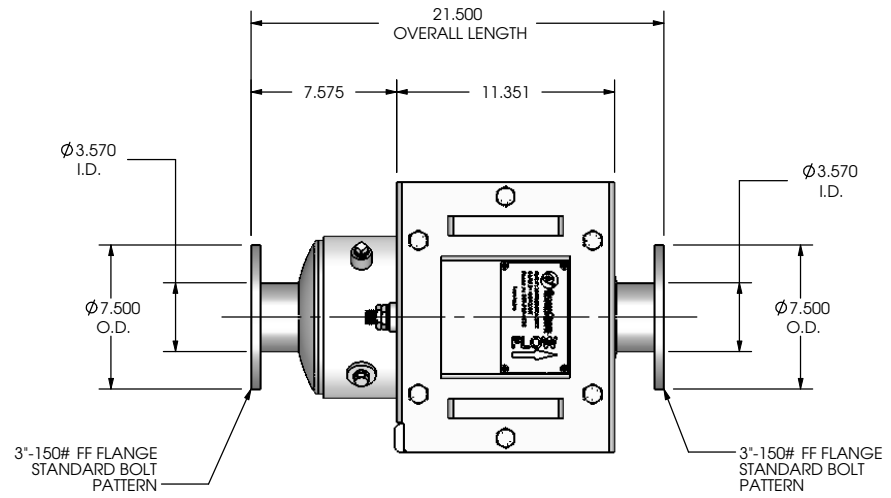
DRAWING BRX-0700-02-S-XX SD REV **0**

BRX-0700-02-S-XX SALES DRAWING

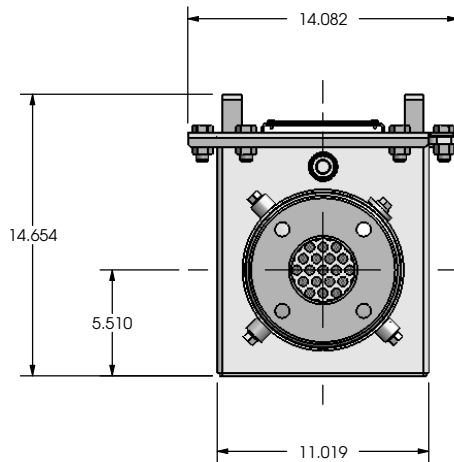
WEIGHT: 68 lb APPROX.	SCALE 1:10	SHEET 1 OF 1
-----------------------	------------	--------------



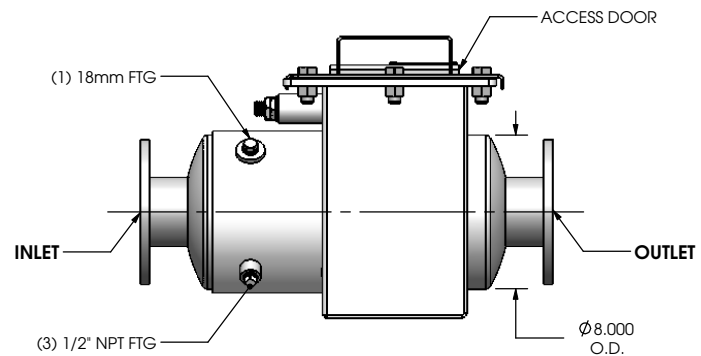
DIMETRIC VIEW



TOP VIEW



FRONT VIEW




RIGHT VIEW

NOTES:

- WEIGHT IS APPROXIMATE WITH (1) ELEMENT
- SINGLE ELEMENT HOUSING
- THIS EQUIPMENT SHALL BE SUPPORTED SUCH THAT NO MOMENTS OR FORCES ARE ON THE INLET AND OUTLET FLANGES

DRAWN	JU	DATE	10/18/2011
ENGINEER	-	DATE	-
APPROVED	-	DATE	-

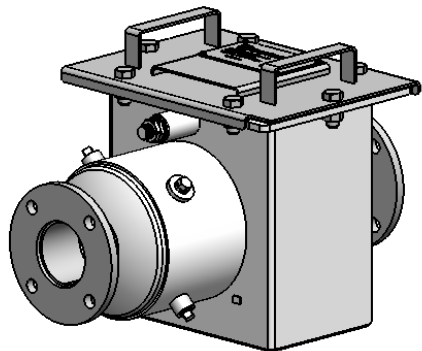
PROPRIETARY AND CONFIDENTIAL
 THIS DRAWING CONTAINS PROPRIETARY INFORMATION WHICH IS TO BE HELD CONFIDENTIAL AND MAY NOT BE REPRODUCED OR DISCLOSED TO OTHERS WITHOUT THE PRIOR WRITTEN CONSENT OF EMERACHEM OR A DULY AUTHORIZED REPRESENTATIVE THEREOF.



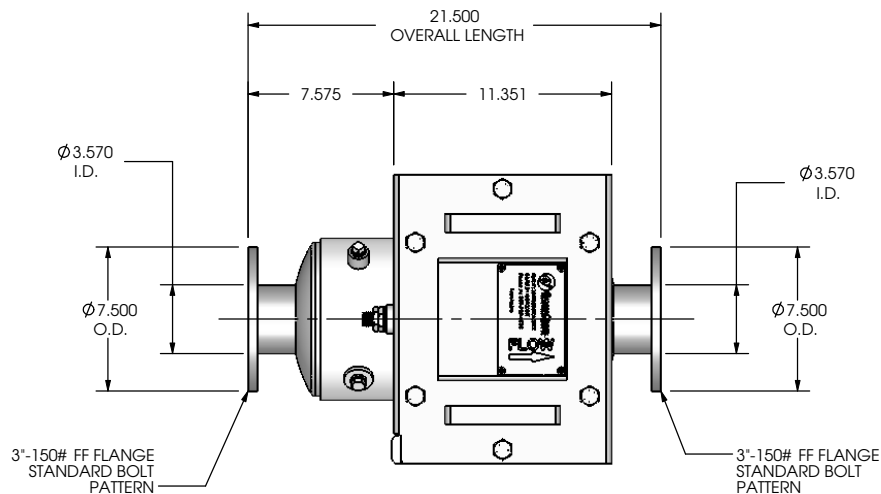
DRAWING BRX-0700-03-S-XX SD REV **0**

BRX-0700-03-S-XX SALES DRAWING

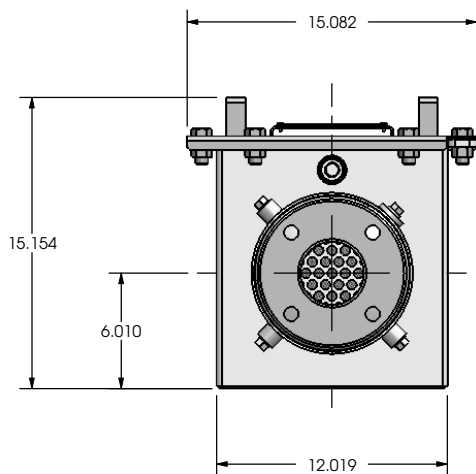
WEIGHT: 72 lb APPROX. SCALE 1:10 SHEET 1 OF 1



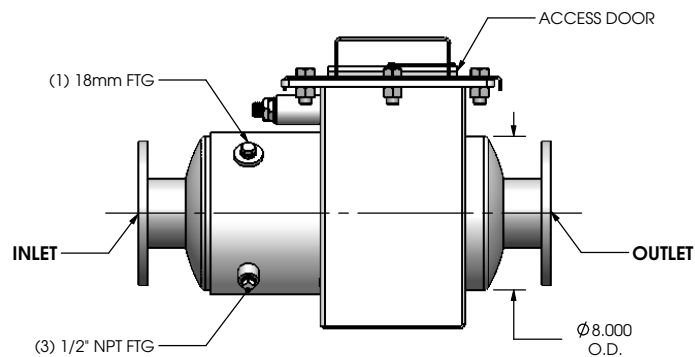
DIMETRIC VIEW



TOP VIEW



FRONT VIEW



RIGHT VIEW


NOTES:

- WEIGHT IS APPROXIMATE WITH (1) ELEMENT
- SINGLE ELEMENT HOUSING
- THIS EQUIPMENT SHALL BE SUPPORTED SUCH THAT NO MOMENTS OR FORCES ARE ON THE INLET AND OUTLET FLANGES

DRAWN	JU	DATE	10/18/2011
ENGINEER	-	DATE	-
APPROVED	-	DATE	-

PROPRIETARY AND CONFIDENTIAL

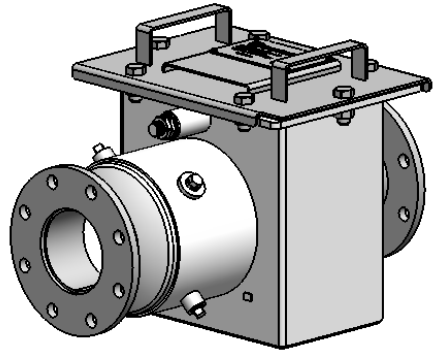
THIS DRAWING CONTAINS PROPRIETARY INFORMATION WHICH IS TO BE HELD CONFIDENTIAL AND MAY NOT BE REPRODUCED OR DISCLOSED TO OTHERS WITHOUT THE PRIOR WRITTEN CONSENT OF EMERACHEM OR A DULY AUTHORIZED REPRESENTATIVE THEREOF.



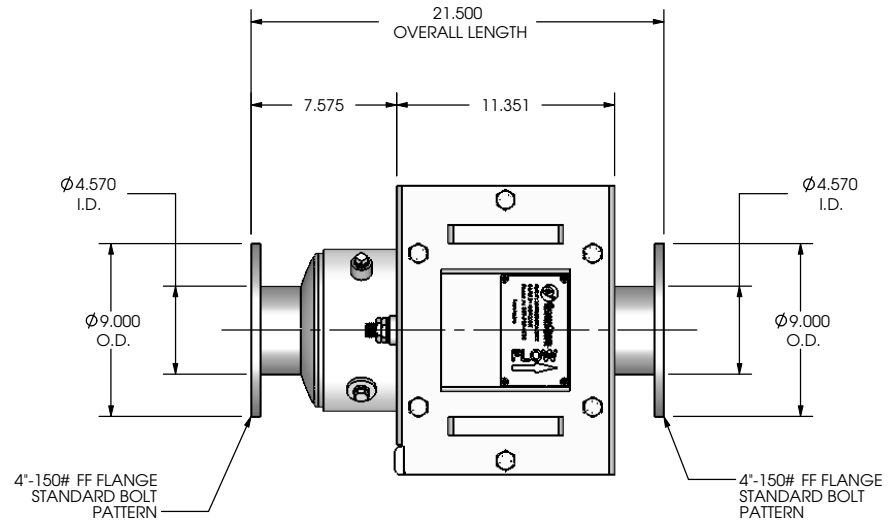
DRAWING BRX-0800-03-S-XX SD REV **0**

BRX-0800-03-S-XX SALES DRAWING

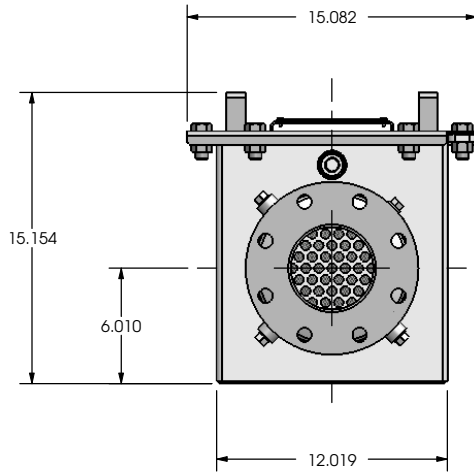
WEIGHT: 75 lb APPROX. SCALE 1:10 SHEET 1 OF 1



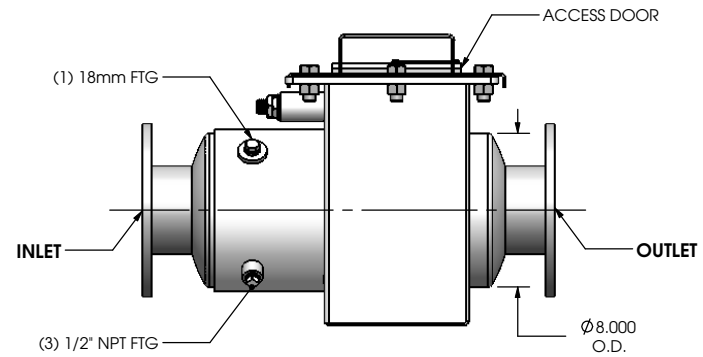
DIMETRIC VIEW



TOP VIEW



FRONT VIEW




RIGHT VIEW

NOTES:

- WEIGHT IS APPROXIMATE WITH (1) ELEMENT
- SINGLE ELEMENT HOUSING
- THIS EQUIPMENT SHALL BE SUPPORTED SUCH THAT NO MOMENTS OR FORCES ARE ON THE INLET AND OUTLET FLANGES

DRAWN	JU	DATE	10/18/2011
ENGINEER	-	DATE	-
APPROVED	-	DATE	-

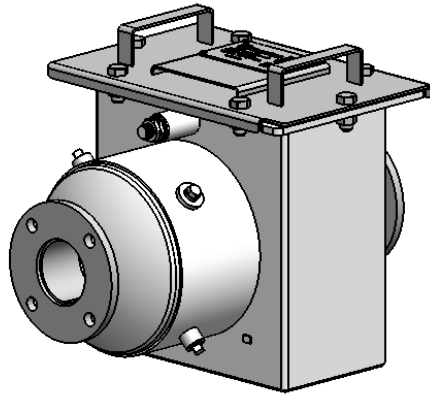
PROPRIETARY AND CONFIDENTIAL
 THIS DRAWING CONTAINS PROPRIETARY INFORMATION WHICH IS TO BE HELD CONFIDENTIAL AND MAY NOT BE REPRODUCED OR DISCLOSED TO OTHERS WITHOUT THE PRIOR WRITTEN CONSENT OF EMERACHEM OR A DULY AUTHORIZED REPRESENTATIVE THEREOF.



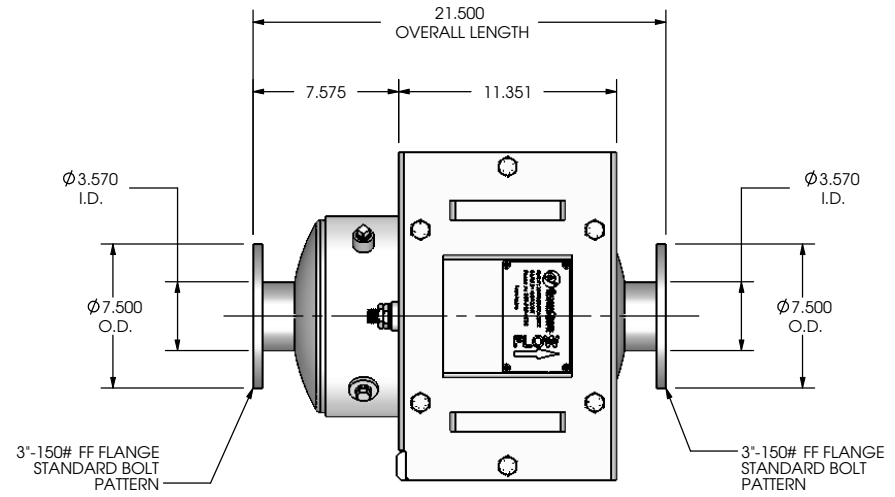
DRAWING BRX-0800-04-S-XX SD REV **0**

BRX-0800-04-S-XX SALES DRAWING

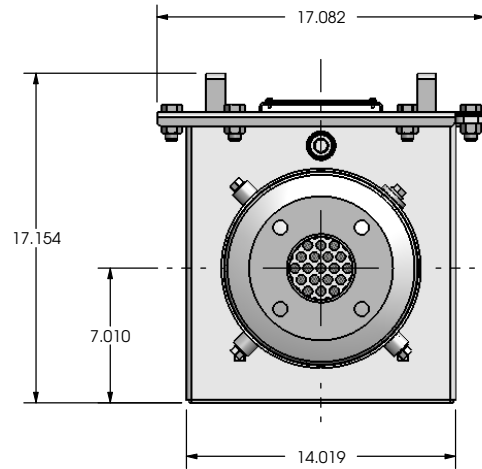
WEIGHT: 78 lb APPROX. SCALE 1:10 SHEET 1 OF 1



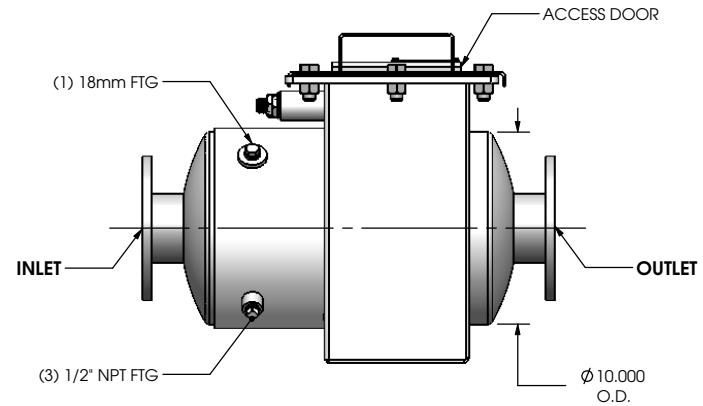
DIMETRIC VIEW



TOP VIEW



FRONT VIEW



RIGHT VIEW


NOTES:

- WEIGHT IS APPROXIMATE WITH (1) ELEMENT
- SINGLE ELEMENT HOUSING
- THIS EQUIPMENT SHALL BE SUPPORTED SUCH THAT NO MOMENTS OR FORCES ARE ON THE INLET AND OUTLET FLANGES

DRAWN	JU	DATE	10/18/2011
ENGINEER	-	DATE	-
APPROVED	-	DATE	-

PROPRIETARY AND CONFIDENTIAL

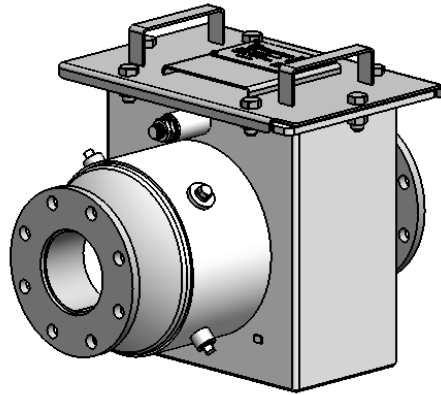
THIS DRAWING CONTAINS PROPRIETARY INFORMATION WHICH IS TO BE HELD CONFIDENTIAL AND MAY NOT BE REPRODUCED OR DISCLOSED TO OTHERS WITHOUT THE PRIOR WRITTEN CONSENT OF EMERACHEM OR A DULY AUTHORIZED REPRESENTATIVE THEREOF.



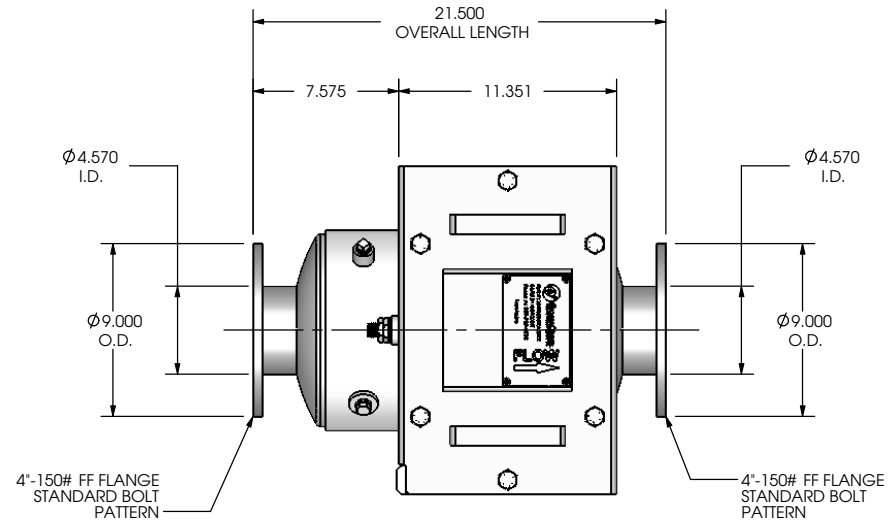
DRAWING BRX-1000-03-S-XX SD REV **0**

BRX-1000-03-S-XX SALES DRAWING

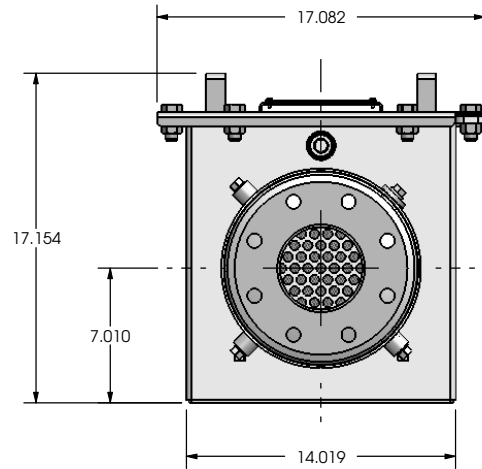
WEIGHT: 86 lb APPROX. SCALE 1:10 SHEET 1 OF 1



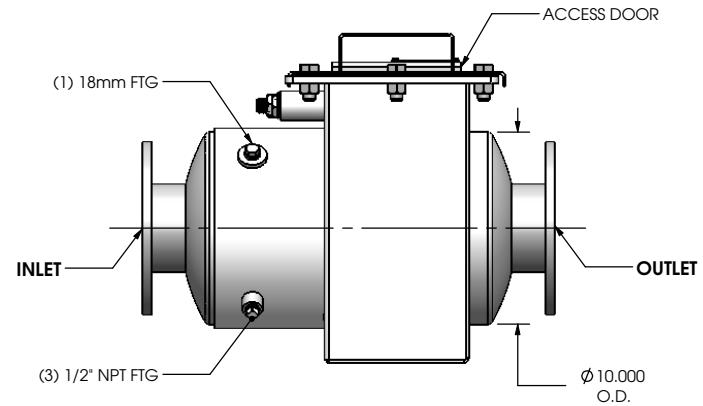
DIMETRIC VIEW



TOP VIEW



FRONT VIEW



RIGHT VIEW


NOTES:

- WEIGHT IS APPROXIMATE WITH (1) ELEMENT
- SINGLE ELEMENT HOUSING
- THIS EQUIPMENT SHALL BE SUPPORTED SUCH THAT NO MOMENTS OR FORCES ARE ON THE INLET AND OUTLET FLANGES

DRAWN	JU	DATE	10/18/2011
ENGINEER	-	DATE	-
APPROVED	-	DATE	-

PROPRIETARY AND CONFIDENTIAL

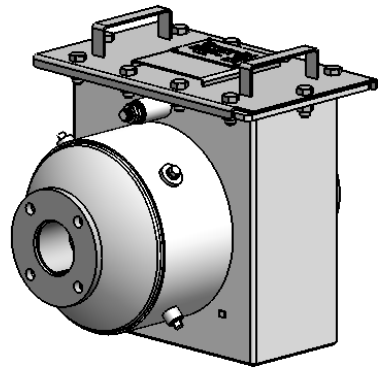
THIS DRAWING CONTAINS PROPRIETARY INFORMATION WHICH IS TO BE HELD CONFIDENTIAL AND MAY NOT BE REPRODUCED OR DISCLOSED TO OTHERS WITHOUT THE PRIOR WRITTEN CONSENT OF EMERACHEM OR A DULY AUTHORIZED REPRESENTATIVE THEREOF.



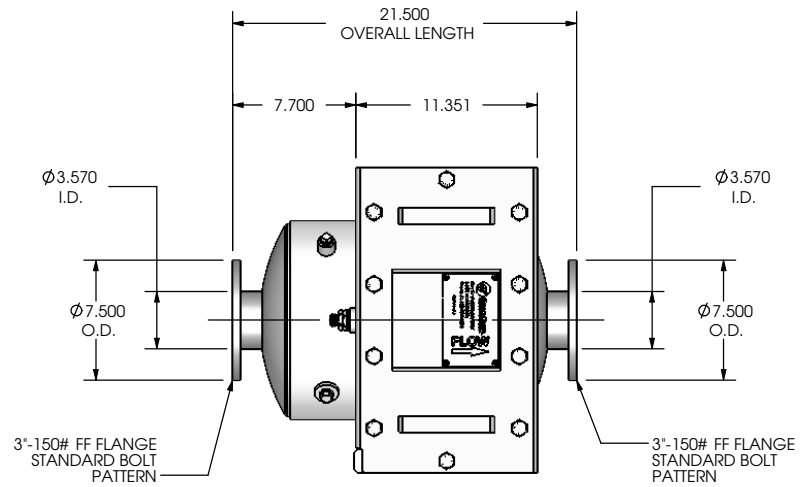
DRAWING BRX-1000-04-S-XX SD REV **0**

BRX-1000-04-S-XX SALES DRAWING

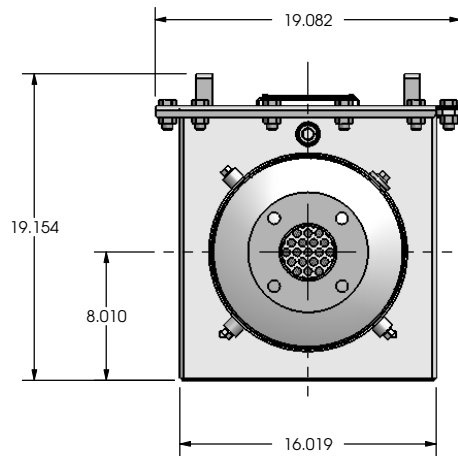
WEIGHT: 90 lb APPROX. SCALE 1:10 SHEET 1 OF 1



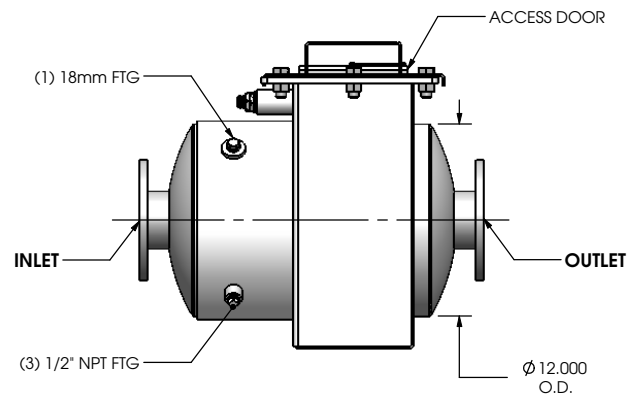
DIMETRIC VIEW



TOP VIEW



FRONT VIEW



RIGHT VIEW


NOTES:

- WEIGHT IS APPROXIMATE WITH (1) ELEMENT
- SINGLE ELEMENT HOUSING
- THIS EQUIPMENT SHALL BE SUPPORTED SUCH THAT NO MOMENTS OR FORCES ARE ON THE INLET AND OUTLET FLANGES

DRAWN	JU	DATE	10/18/2011
ENGINEER	-	DATE	-
APPROVED	-	DATE	-

PROPRIETARY AND CONFIDENTIAL

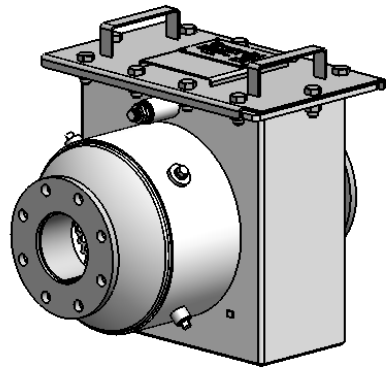
THIS DRAWING CONTAINS PROPRIETARY INFORMATION WHICH IS TO BE HELD CONFIDENTIAL AND MAY NOT BE REPRODUCED OR DISCLOSED TO OTHERS WITHOUT THE PRIOR WRITTEN CONSENT OF EMERACHEM OR A DULY AUTHORIZED REPRESENTATIVE THEREOF.



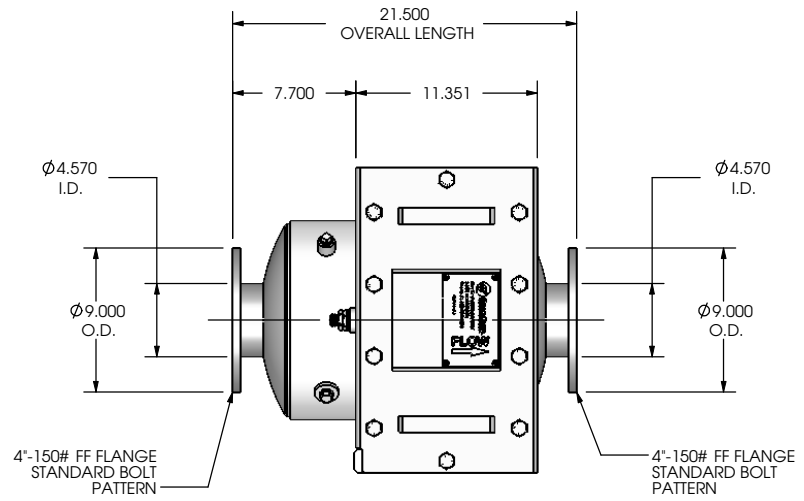
DRAWING BRX-1200-03-S-XX SD REV **0**

BRX-1200-03-S-XX SALES DRAWING

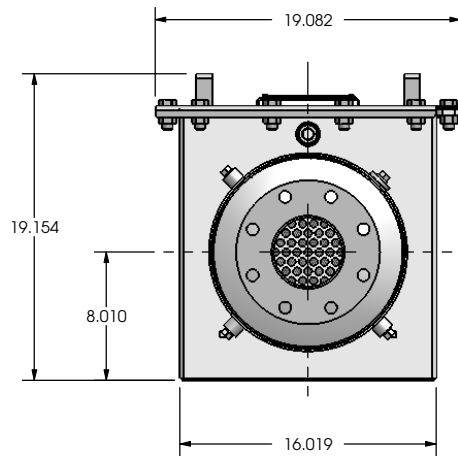
WEIGHT: 105 lb APPROX. SCALE 1:12 SHEET 1 OF 1



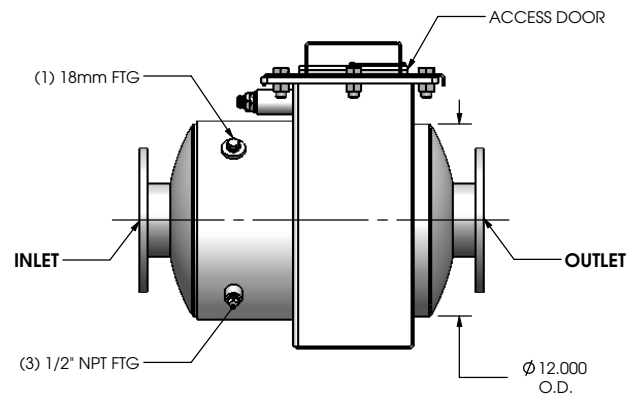
DIMETRIC VIEW



TOP VIEW



FRONT VIEW



RIGHT VIEW


NOTES:

- WEIGHT IS APPROXIMATE WITH (1) ELEMENT
- SINGLE ELEMENT HOUSING
- THIS EQUIPMENT SHALL BE SUPPORTED SUCH THAT NO MOMENTS OR FORCES ARE ON THE INLET AND OUTLET FLANGES

DRAWN	JU	DATE	10/18/2011
ENGINEER	-	DATE	-
APPROVED	-	DATE	-

PROPRIETARY AND CONFIDENTIAL

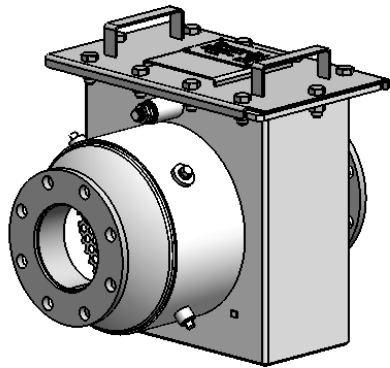
THIS DRAWING CONTAINS PROPRIETARY INFORMATION WHICH IS TO BE HELD CONFIDENTIAL AND MAY NOT BE REPRODUCED OR DISCLOSED TO OTHERS WITHOUT THE PRIOR WRITTEN CONSENT OF EMERACHEM OR A DULY AUTHORIZED REPRESENTATIVE THEREOF.



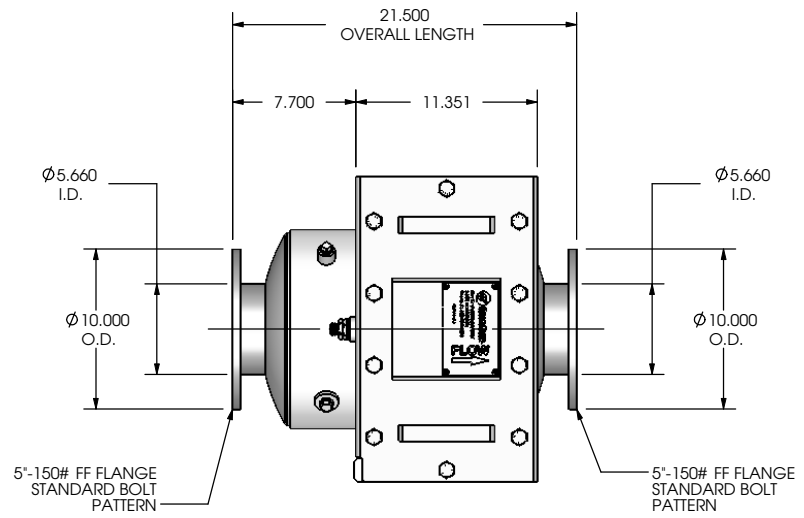
DRAWING BRX-1200-04-S-XX SD REV **0**

**BRX-1200-04-S-XX
SALES DRAWING**

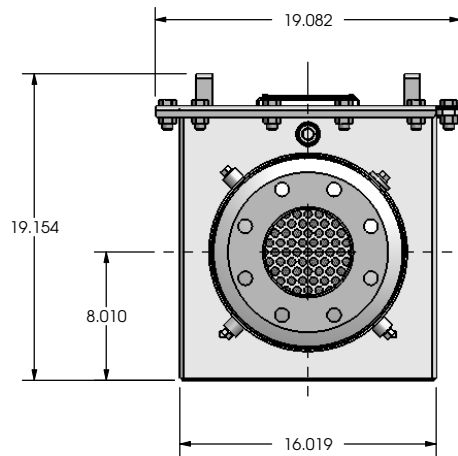
WEIGHT: 108 lb APPROX. SCALE 1:12 SHEET 1 OF 1



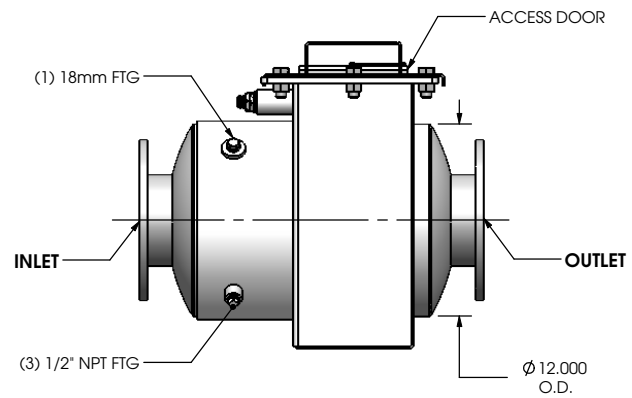
DIMETRIC VIEW



TOP VIEW



FRONT VIEW



RIGHT VIEW


NOTES:

- WEIGHT IS APPROXIMATE WITH (1) ELEMENT
- SINGLE ELEMENT HOUSING
- THIS EQUIPMENT SHALL BE SUPPORTED SUCH THAT NO MOMENTS OR FORCES ARE ON THE INLET AND OUTLET FLANGES

DRAWN	JU	DATE	10/18/2011
ENGINEER	-	DATE	-
APPROVED	-	DATE	-

PROPRIETARY AND CONFIDENTIAL

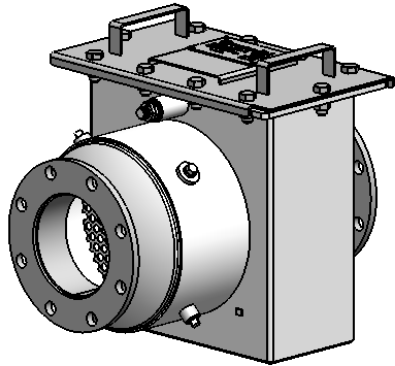
THIS DRAWING CONTAINS PROPRIETARY INFORMATION WHICH IS TO BE HELD CONFIDENTIAL AND MAY NOT BE REPRODUCED OR DISCLOSED TO OTHERS WITHOUT THE PRIOR WRITTEN CONSENT OF EMERACHEM OR A DULY AUTHORIZED REPRESENTATIVE THEREOF.



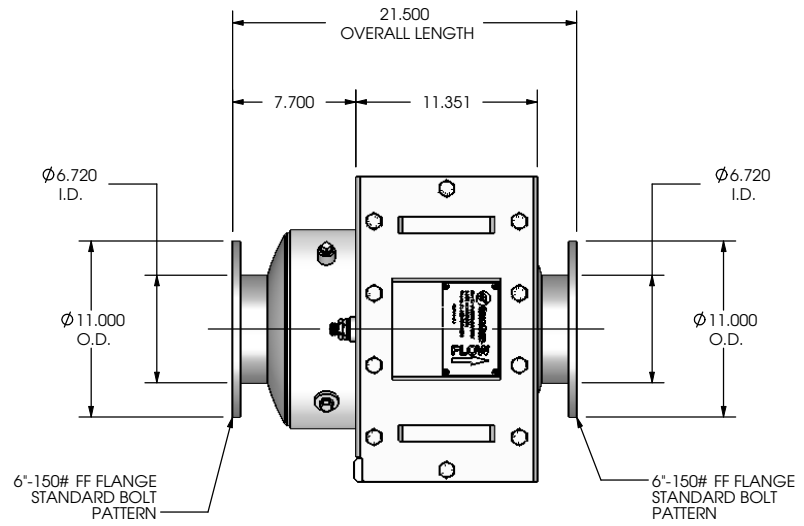
DRAWING BRX-1200-05-S-XX SD REV **0**

BRX-1200-05-S-XX SALES DRAWING

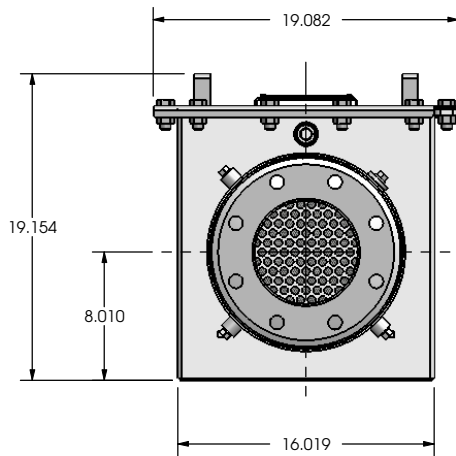
WEIGHT: 109 lb APPROX. SCALE 1:12 SHEET 1 OF 1



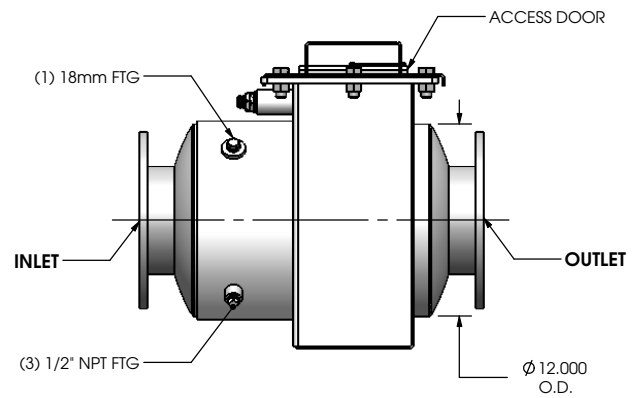
DIMETRIC VIEW



TOP VIEW



FRONT VIEW



RIGHT VIEW


NOTES:

- WEIGHT IS APPROXIMATE WITH (1) ELEMENT
- SINGLE ELEMENT HOUSING
- THIS EQUIPMENT SHALL BE SUPPORTED SUCH THAT NO MOMENTS OR FORCES ARE ON THE INLET AND OUTLET FLANGES

DRAWN	JU	DATE	10/18/2011
ENGINEER	-	DATE	-
APPROVED	-	DATE	-

PROPRIETARY AND CONFIDENTIAL

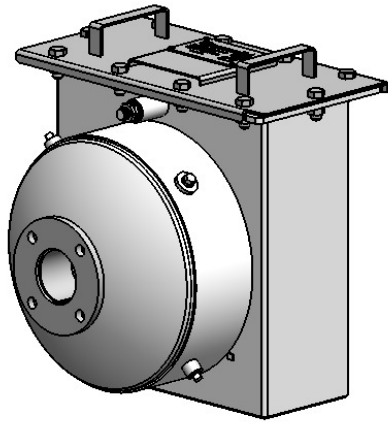
THIS DRAWING CONTAINS PROPRIETARY INFORMATION WHICH IS TO BE HELD CONFIDENTIAL AND MAY NOT BE REPRODUCED OR DISCLOSED TO OTHERS WITHOUT THE PRIOR WRITTEN CONSENT OF EMERACHEM OR A DULY AUTHORIZED REPRESENTATIVE THEREOF.



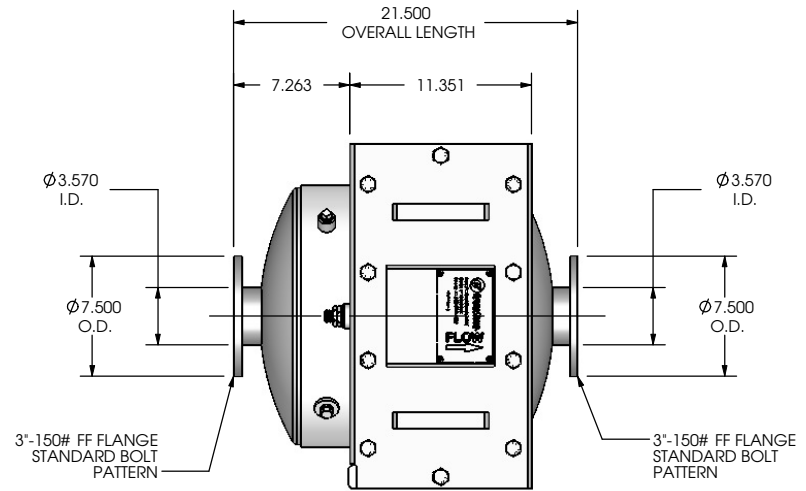
DRAWING BRX-1200-06-S-XX SD REV **0**

BRX-1200-06-S-XX
SALES DRAWING

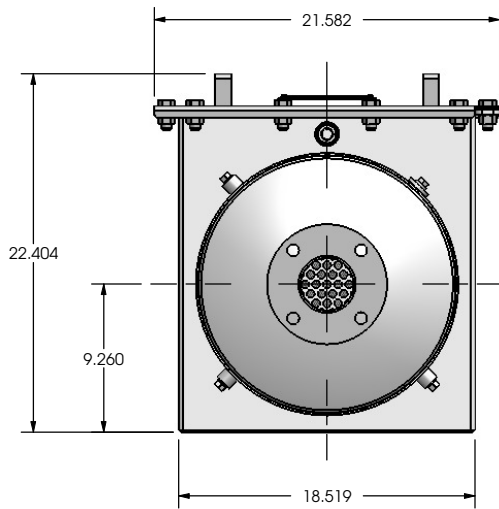
WEIGHT: 111 lb APPROX. SCALE 1:12 SHEET 1 OF 1



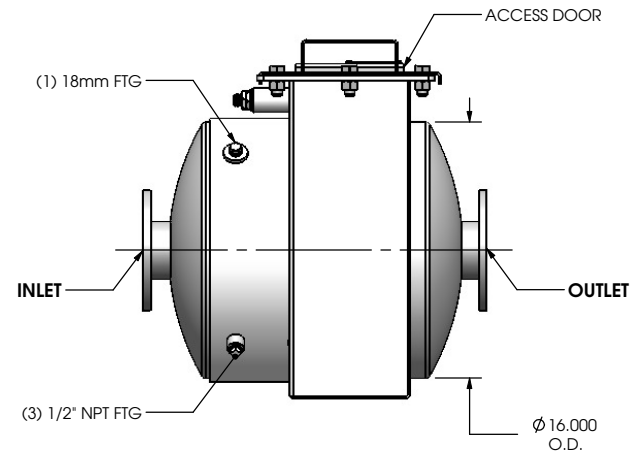
DIMETRIC VIEW



TOP VIEW



FRONT VIEW




RIGHT VIEW

NOTES:

- WEIGHT IS APPROXIMATE WITH (1) ELEMENT
- SINGLE ELEMENT HOUSING
- THIS EQUIPMENT SHALL BE SUPPORTED SUCH THAT NO MOMENTS OR FORCES ARE ON THE INLET AND OUTLET FLANGES

DRAWN	JU	DATE	10/18/2011
ENGINEER	-	DATE	-
APPROVED	-	DATE	-

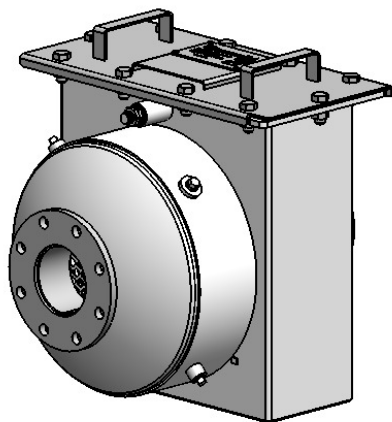
PROPRIETARY AND CONFIDENTIAL
 THIS DRAWING CONTAINS PROPRIETARY INFORMATION WHICH IS TO BE HELD CONFIDENTIAL AND MAY NOT BE REPRODUCED OR DISCLOSED TO OTHERS WITHOUT THE PRIOR WRITTEN CONSENT OF EMERACHEM OR A DULY AUTHORIZED REPRESENTATIVE THEREOF.



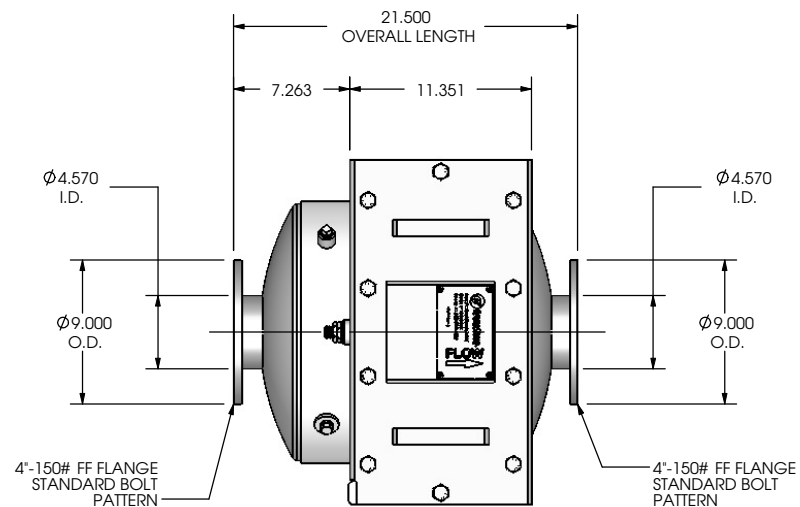
DRAWING BRX-1450-03-S-XX SD REV **0**

BRX-1450-03-S-XX SALES DRAWING

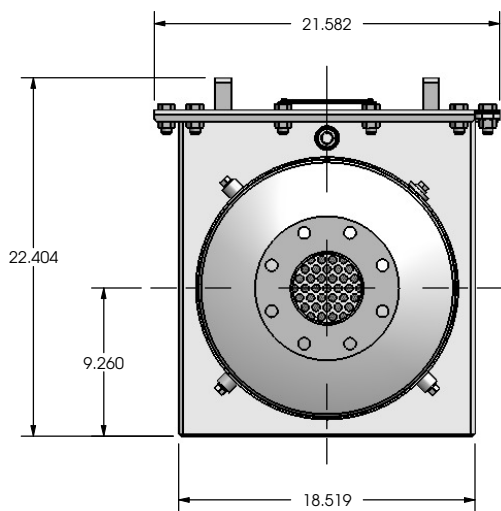
WEIGHT: 129 lb APPROX.	SCALE 1:12	SHEET 1 OF 1
------------------------	------------	--------------



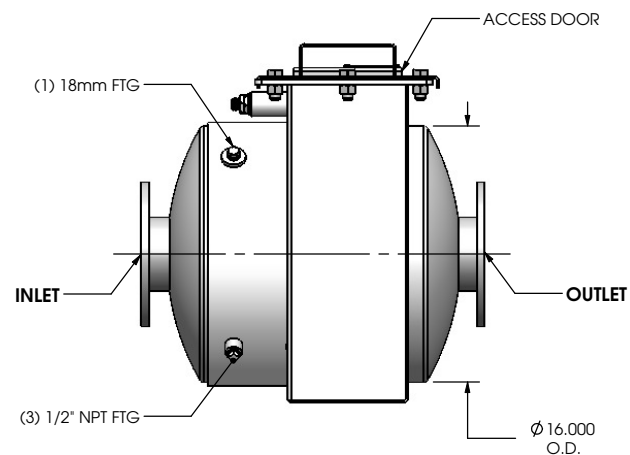
DIMETRIC VIEW



TOP VIEW



FRONT VIEW



RIGHT VIEW


NOTES:

- WEIGHT IS APPROXIMATE WITH (1) ELEMENT
- SINGLE ELEMENT HOUSING
- THIS EQUIPMENT SHALL BE SUPPORTED SUCH THAT NO MOMENTS OR FORCES ARE ON THE INLET AND OUTLET FLANGES

DRAWN	JU	DATE	10/18/2011
ENGINEER	-	DATE	-
APPROVED	-	DATE	-

PROPRIETARY AND CONFIDENTIAL

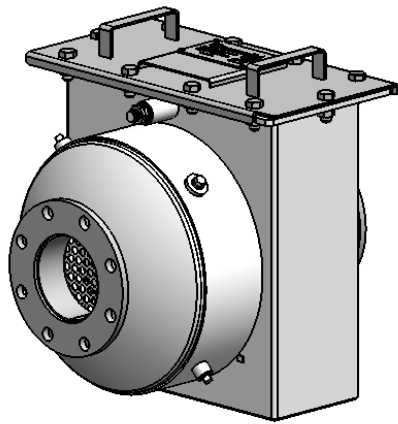
THIS DRAWING CONTAINS PROPRIETARY INFORMATION WHICH IS TO BE HELD CONFIDENTIAL AND MAY NOT BE REPRODUCED OR DISCLOSED TO OTHERS WITHOUT THE PRIOR WRITTEN CONSENT OF EMERACHEM OR A DULY AUTHORIZED REPRESENTATIVE THEREOF.



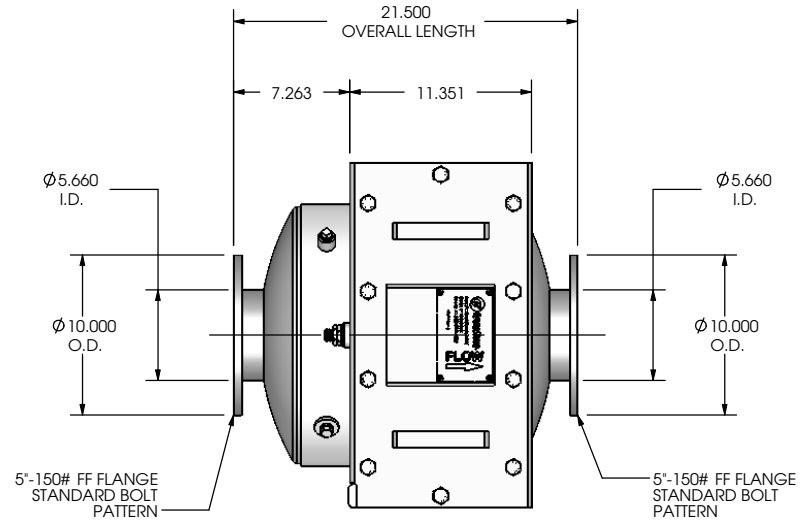
DRAWING BRX-1450-04-S-XX SD REV **0**

BRX-1450-04-S-XX SALES DRAWING

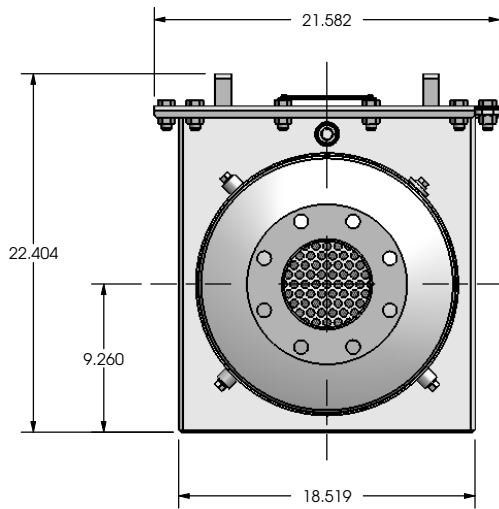
WEIGHT: 132 lb APPROX.	SCALE 1:12	SHEET 1 OF 1
------------------------	------------	--------------



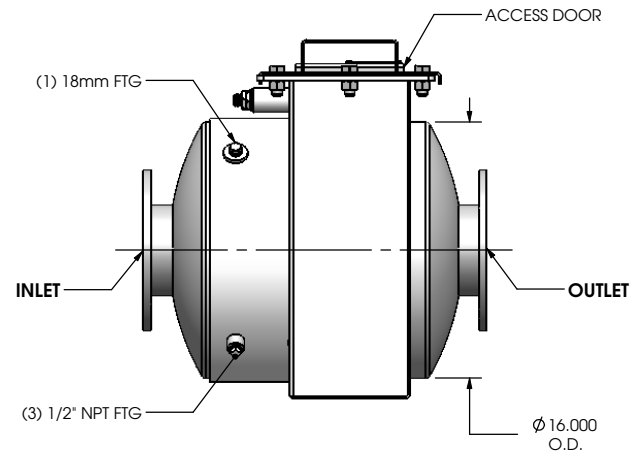
DIMETRIC VIEW



TOP VIEW



FRONT VIEW




RIGHT VIEW

NOTES:

- WEIGHT IS APPROXIMATE WITH (1) ELEMENT
- SINGLE ELEMENT HOUSING
- THIS EQUIPMENT SHALL BE SUPPORTED SUCH THAT NO MOMENTS OR FORCES ARE ON THE INLET AND OUTLET FLANGES

DRAWN	JU	DATE	10/18/2011
ENGINEER	-	DATE	-
APPROVED	-	DATE	-

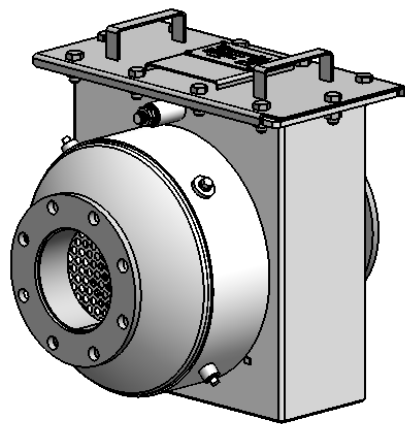
PROPRIETARY AND CONFIDENTIAL
 THIS DRAWING CONTAINS PROPRIETARY INFORMATION WHICH IS TO BE HELD CONFIDENTIAL AND MAY NOT BE REPRODUCED OR DISCLOSED TO OTHERS WITHOUT THE PRIOR WRITTEN CONSENT OF EMERACHEM OR A DULY AUTHORIZED REPRESENTATIVE THEREOF.



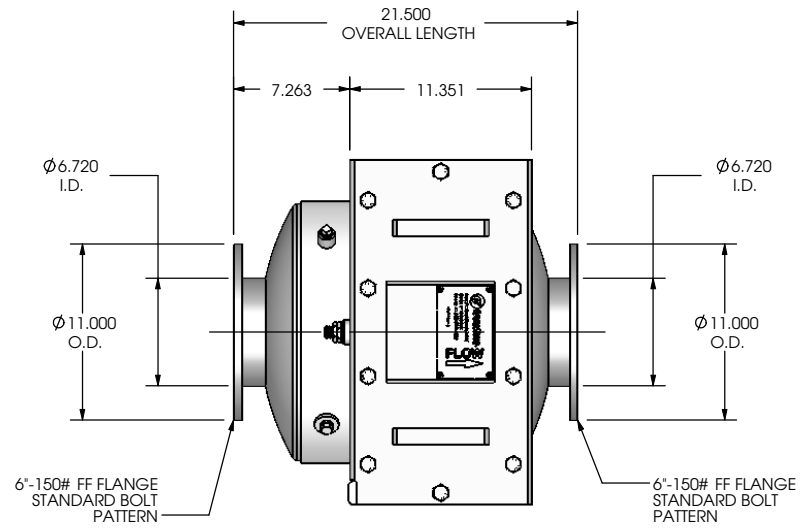
DRAWING BRX-1450-05-S-XX SD | REV **0**

BRX-1450-05-S-XX
SALES DRAWING

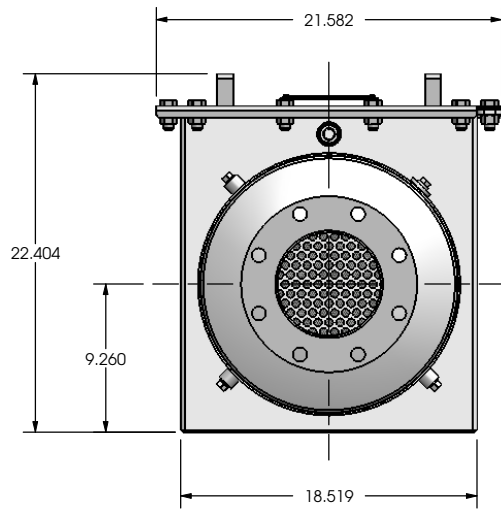
WEIGHT: 133 lb APPROX. | SCALE 1:12 | SHEET 1 OF 1



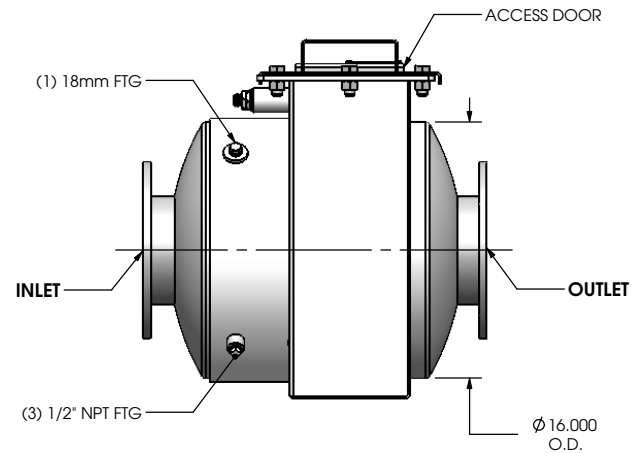
DIMETRIC VIEW



TOP VIEW



FRONT VIEW




RIGHT VIEW

NOTES:

- WEIGHT IS APPROXIMATE WITH (1) ELEMENT
- SINGLE ELEMENT HOUSING
- THIS EQUIPMENT SHALL BE SUPPORTED SUCH THAT NO MOMENTS OR FORCES ARE ON THE INLET AND OUTLET FLANGES

DRAWN	JU	DATE	10/18/2011
ENGINEER	-	DATE	-
APPROVED	-	DATE	-

PROPRIETARY AND CONFIDENTIAL
 THIS DRAWING CONTAINS PROPRIETARY INFORMATION WHICH IS TO BE HELD CONFIDENTIAL AND MAY NOT BE REPRODUCED OR DISCLOSED TO OTHERS WITHOUT THE PRIOR WRITTEN CONSENT OF EMERACHEM OR A DULY AUTHORIZED REPRESENTATIVE THEREOF.



DRAWING BRX-1450-06-S-XX SD | REV **0**

BRX-1450-06-S-XX
SALES DRAWING

WEIGHT: 135 lb APPROX. | SCALE 1:12 | SHEET 1 OF 1